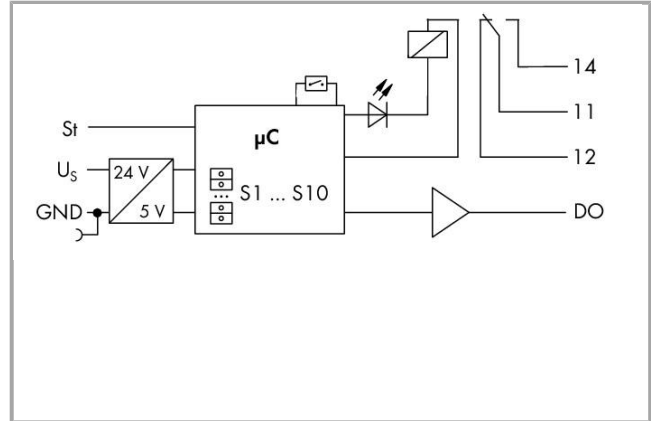
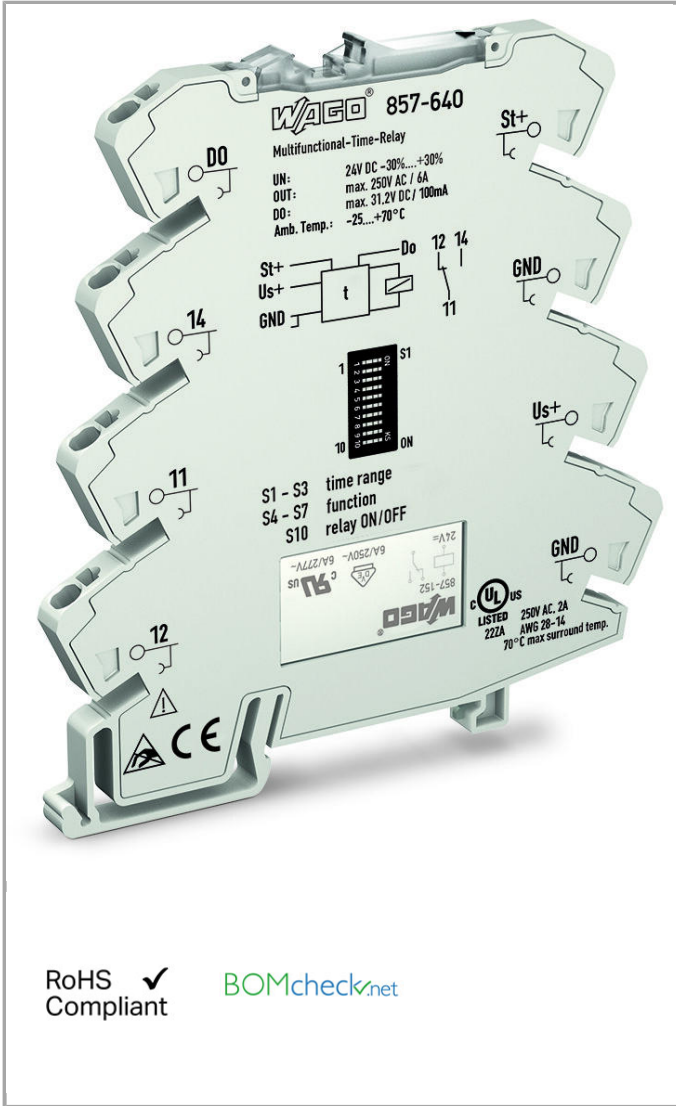
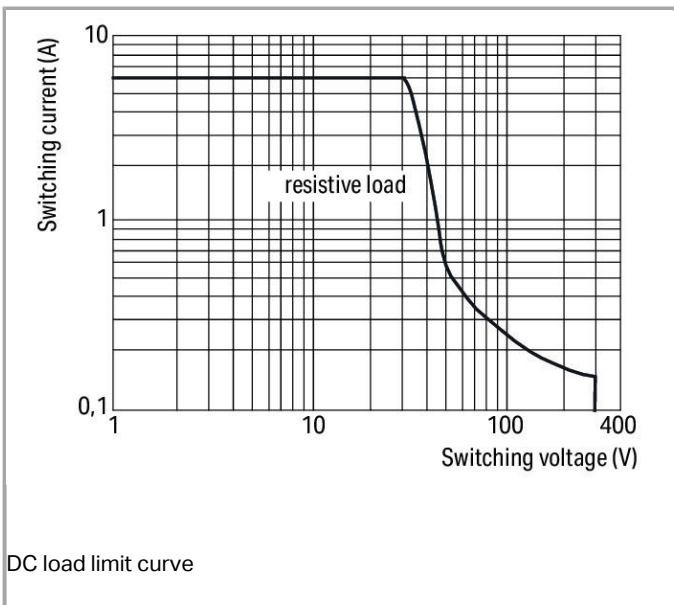
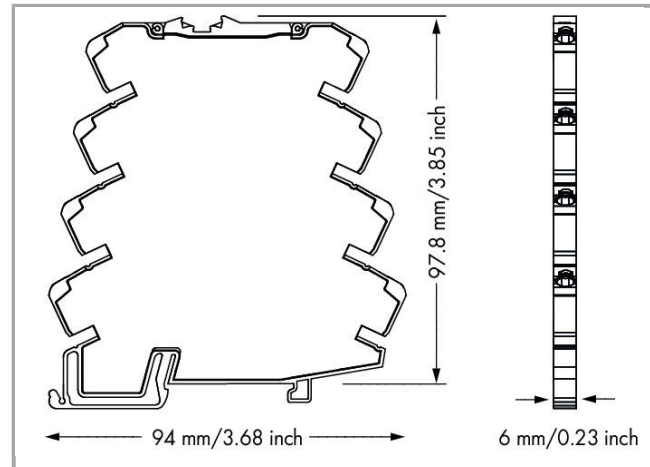
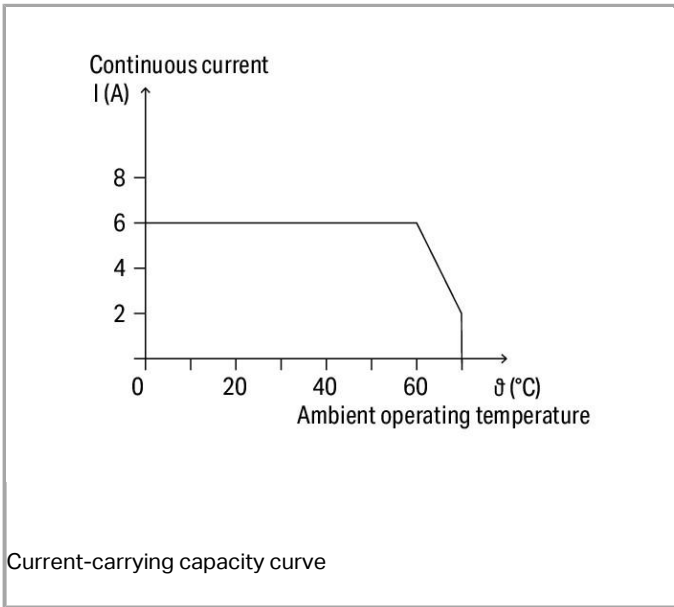


Data sheet | Item number: 857-640

Multifunction timing relay with 1 changeover contact (1u); 8 time ranges; 14 functions; Temperature range: -25 °C ... +70 °C; for railway operations





Item description

Features:

- 14 functions
- Function and time range adjustable via DIP switch

Data

Technical Data

Control circuit

Nominal input voltage U_N

DC 24 V

Input voltage range	±30 %
Nominal input current at U_N	18 mA
Time range	adjustable: 0.01 ... 0.1 s; 0.1 ... 1 s; 1 ... 10 s; 10 ... 100 s; 1 ... 10 min; 10 ... 100 min; 1 ... 10 h; 10 ... 100 h
Reset time	50 ms
Control input pulse length	10 ms
Functions	On-delay On-delay,with control input Off-delay,with control input On- and off-delay,with control input Single-shot leading edge Single-shot leading edge with control input Off-delay,with control input Single-shot leading and trailing edge with control input On-delay and single-shot leading edge On-delay and single-shot leading edge with control input Step switching Blinking, pulse start Blinking, interval start Relay switching

Load circuit:

Number of changeover/switchover contacts	1
Contact material (relay)	AgSnO ₂
Limiting continuous current	6 A
Max. make current (resistive)	(AC) 20 A / 0.02 s
Max. switching voltage	AC 250 V
Max. switching power (resistive)	AC 1,500 VA; DC see load limit curve
Switching capacity	AC-15: 3 A / AC 250 V; DC-13: 2 A / DC 24 V
Recommended minimum load	10 V / 10 mA; 24 V / 1 mA
Pull-in time (typ.)	15 ms
Drop-out time (typ.)	25 ms
Bounce time (typ)	3.5 ms
Electrical life (N.O.; resistive load; 23 °C)	50 x 10 ³ switching operations
Mechanical life	5 x 10 ⁶ switching operations
Digital output (DO)	$U_N - 1 V$; 100 mA

Signaling

Status indication	LED yellow
-------------------	------------

Safety and protection:

Rated voltage	250 V
---------------	-------

Rated impulse voltage	4 kV
Pollution degree	2
Dielectric strength, control/load circuit (AC, 1 min)	4 kVrms
Dielectric strength open contact (AC, 1 min)	1 kVrms
Protection class	IP20

Connection data

Connection technology	Push-in CAGE CLAMP®
Solid conductor	0.34 ... 2.5 mm ² / 22 ... 14 AWG
Fine-stranded conductor	0.34 ... 2.5 mm ² / 22 ... 14 AWG
Strip length	9 ... 10 mm / 0.35 ... 0.39 inch

Geometrical Data

Width	6 mm / 0.236 inch
Height from upper-edge of DIN-35 rail	97.8 mm / 3.85 inch
Depth	94 mm / 3.701 inch

Mechanical data

Type of mounting	DIN-35 rail
------------------	-------------

Material Data

Fire load	0MJ
Weight	33.221 g

Environmental Requirements

Pollution degree	2
Surrounding air (operating) temperature at U _N	-25 ... 70 °C
Surrounding air (storage) temperature	-40 ... 70 °C
Processing temperature	-25 ... +50 °C

Standards and specifications


Standards/specifications	EN 61812-1; EN 61373; EN 50121-3-2; UL 508
--------------------------	--

Commercial data

Product Group	6 (Interface Electronics)
Country of origin	DE
GTIN	4050821565703

Approvals / Certificates

UL-Approvals

Logo	Approval	Additional Approval Text	Certificate name
	UL UL International Netherlands B.V. (ORDINARY LOCATIONS)	UL 508	E175199 Sec.4